

FLANGED

712/0310-001

BEND 30°, PN 10/16

Water Supply

Wastewater Treatment

Water Treatment

Dams, Reservoirs and Hydropower

Irrigation

AVK's range of fittings comprises a wide selection of variants with socket and flange connection. The fittings are made of ductile iron GJS-500-7 and are epoxy coated according to DIN 3476 and GSK specifications - internally and externally.

Use:

Double flanged bend 30° type FFK to EN 545 for water, waste water and neutral liquids to max. 70° C

Standards:

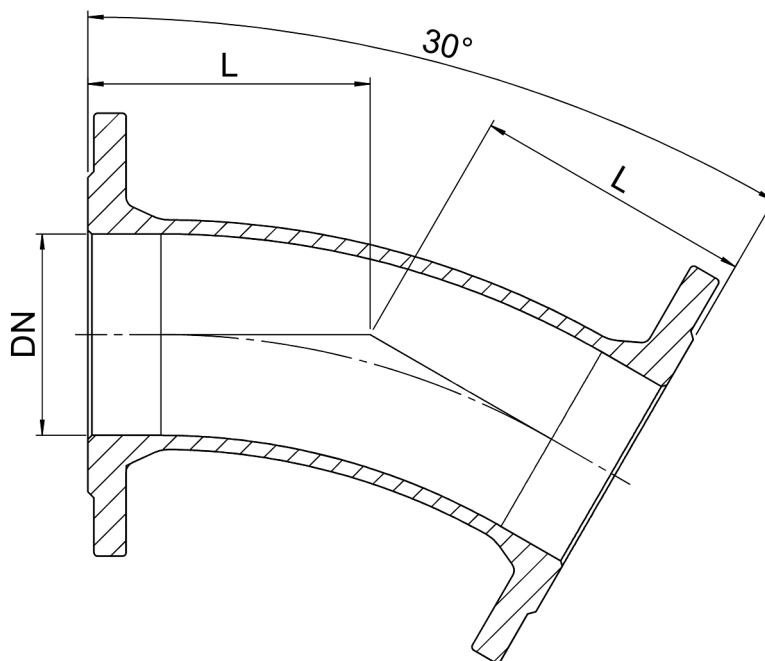
- EN 545
- Flange drilling to EN1092, PN10/16

Features:

- Ductile iron fitting to EN 545
- Body of GJS-500-7
- Epoxy coated to DIN 3476 and GSK internally and externally



The designs, materials, dimensions and specifications shown are subject to change without notice due to the continuous development of our product range.



Component list:

1. Fitting	Ductile Iron
------------	--------------

Components may be substituted with equivalent or higher class materials without prior notification.

Reference nos. and dimensions:

Reference no.	DN mm	Flange drilling	L mm	Theoretical weight/kg
712-0040-03-101	40	PN10/16	140	7.0
712-0050-03-101	50	PN10/16	150	8.0
712-0065-03-101	65	PN16	165	8.5
712-0080-03-101	80	PN10/16	130	9.1
712-0100-03-101	100	PN10/16	140	11
712-0125-03-101	125	PN10/16	150	15
712-0150-03-101	150	PN10/16	160	18
712-0200-03-100	200	PN10	180	26
712-0200-03-101	200	PN16	180	26
712-0250-03-100	250	PN10	210	39
712-0250-03-101	250	PN16	210	38
712-0300-03-100	300	PN10	255	56
712-0300-03-101	300	PN16	255	55
712-0350-03-100	350	PN10	217	79
712-0350-03-101	350	PN16	217	85
712-0400-03-100	400	PN10	324	90
712-0400-03-101	400	PN16	324	100
712-0450-03-100	450	PN10	349	107
712-0450-03-101	450	PN16	349	122
712-0500-03-100	500	PN10	273	118
712-0500-03-101	500	PN16	273	147
712-0600-03-100	600	PN10	279	203
712-0600-03-101	600	PN16	279	255