

Water Supply

Wastewater Treatment

Water Treatment

Dams, Reservoirs and Hydropower

Irrigation

AVK's range of fittings comprises a wide selection of variants with socket and flange connection. The fittings are made of ductile iron min. GJS-400 (GGG-40) and are epoxy coated according to DIN 3476 and GSK specifications - internally and externally.

Use:

Double flanged bend 90° type FFQ to EN 545 for water, waste water and neutral liquids to max. 70° C

Standards:

- EN 545
- Flange drilling to EN1092, PN10/16

Test/Approvals:

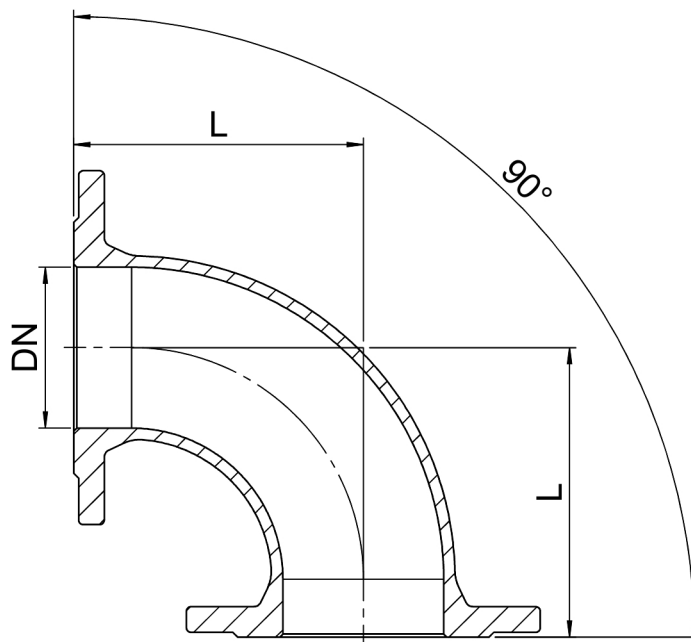
- Belgaqua approved material

Features:

- Ductile iron fitting to EN 545.
- Body of min. GJS-400-15 (GGG-40).
- Epoxy coated to DIN 3476 and GSK internally and externally.



The designs, materials, dimensions and specifications shown are subject to change without notice due to the continuous development of our product range.



Component list:

1. Fitting	Ductile Iron
------------	--------------

Components may be substituted with equivalent or higher class materials without prior notification.

Reference nos. and dimensions:

Reference no.	DN mm	Flange drilling	L mm	Theoretical weight/kg
712-0040-06-101	40	PN10/16	140	5.2
712-0050-06-101	50	PN10/16	150	6.4
712-0065-06-101	65	PN10/16	165	8.2
712-0080-06-101	80	PN10/16	165	9.4
712-0100-06-101	100	PN10/16	180	12
712-0125-06-101	125	PN10/16	200	18
712-0150-06-101	150	PN10/16	220	19
712-0200-06-100	200	PN10	260	29
712-0200-06-101	200	PN16	260	28
712-0250-06-100	250	PN10	350	46
712-0250-06-101	250	PN16	350	46
712-0300-06-100	300	PN10	400	65
712-0300-06-101	300	PN16	400	65
712-0350-06-100	350	PN10	450	85
712-0350-06-101	350	PN16	450	91
712-0400-06-100	400	PN10	500	108
712-0400-06-101	400	PN16	500	118
712-0450-06-101	450	PN16	550	161
712-0500-06-100	500	PN10	600	168
712-0500-06-101	500	PN16	600	197
712-0600-06-100	600	PN10	700	269
712-0600-06-101	600	PN16	700	381