

FLANGED PIPE

712/4910-001

600 MM, PN 10/16

Water Supply

Wastewater Treatment

Water Treatment

Dams, Reservoirs and Hydropower

Irrigation

AVK's range of fittings comprises a wide selection of variants with socket and flange connection. The fittings are made of ductile iron GJS-500-7 and are epoxy coated according to DIN 3476 and GSK specifications - internally and externally.

Use:

Double flange pipe type FF for water, waste water and neutral liquids to max. 70° C

Standards:

- EN 545
- Flange drilling to EN1092, PN10/16

Test/Approvals:

- Belgaqua approved material

Features:

- Ductile iron fitting to EN 545
- Body of GJS-500-7
- Epoxy coated to DIN 3476 and GSK internally and externally

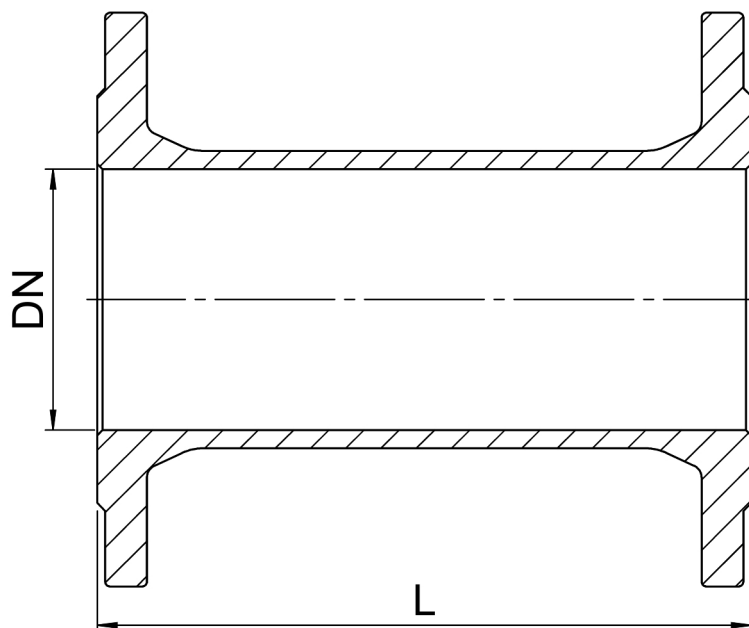


The designs, materials, dimensions and specifications shown are subject to change without notice due to the continuous development of our product range.

FLANGED PIPE

600 MM, PN 10/16

712/4910-001

**Component list:**

1. Fitting	Ductile Iron
------------	--------------

Components may be substituted with equivalent or higher class materials without prior notification.

Reference nos. and dimensions:

Reference no.	DN mm	Flange drilling	L mm	Theoretical weight/kg
712-0040-49-101	40	PN10/16	600	7.6
712-0050-49-101	50	PN10/16	600	9.2
712-0060-49-101	60	PN10/16	600	11
712-0065-49-101	65	PN10/16	600	12
712-0080-49-101	80	PN10/16	600	14
712-0100-49-101	100	PN10/16	600	17
712-0125-49-101	125	PN10/16	600	20
712-0150-49-101	150	PN10/16	600	25
712-0200-49-100	200	PN10	600	35
712-0200-49-101	200	PN16	600	34
712-0250-49-100	250	PN10	600	47
712-0250-49-101	250	PN16	600	47
712-0300-49-100	300	PN10	600	62
712-0300-49-101	300	PN16	600	61
712-0350-49-100	350	PN10	600	75
712-0350-49-101	350	PN16	600	81
712-0400-49-100	400	PN10	600	93
712-0400-49-101	400	PN16	600	99
712-0450-49-100	450	PN10	600	107
712-0450-49-101	450	PN16	600	129
712-0500-49-100	500	PN10	600	121
712-0500-49-101	500	PN16	600	151
712-0600-49-100	600	PN10	600	163
712-0600-49-101	600	PN16	600	214

The designs, materials, dimensions and specifications shown are subject to change without notice due to the continuous development of our product range.