

NOZZLE CHECK VALVE, SINGLE STEM, PN10/16

876/00-001

SS 420 stem, SS 304 spring, alu-bronze bushings, A2 fasteners, FBE coating, EPDM rubber

Water Supply

Water Treatment

The AVK spring loaded nozzle check valve is a reliable, fast reacting blocker of reverse flow in water pipes. In case of pump stop the spring loaded valve cone will make sure the water flow is shut off swiftly and quietly before it can change direction and cause water hammer. All metal parts are made of either stainless steel or epoxy coated ductile iron.

Product description:

Fast reacting nozzle check valve with spring return, for drinking water and other neutral liquids to 80°C

Standards:

- Designed according to EN 1074 - 3, Designed according to EN 12266
- Face-to-face dimension according to EN 558 Table 2 Basic Series 14
- Standard flange drilling to EN1092-2 (ISO 7005-2), PN10/16

Test/Approvals:

- Tested to EN12266
- WRAS approved materials

Features:

- A spring loaded valve cone makes sure the valve closes before reverse flow can occur
- The optimized flow path keeps head loss down to a minimum
- Stem, spring and fasteners in stainless steel
- All iron parts coated with 250µm fusion bonded epoxy (FBE)
- Centring stem runs in high strength alu-bronze bushings
- Approved for drinking water according to Decreto Ministeriale nr. 174 - Ministero della Salute



Manufactured by

ACMO

AVK

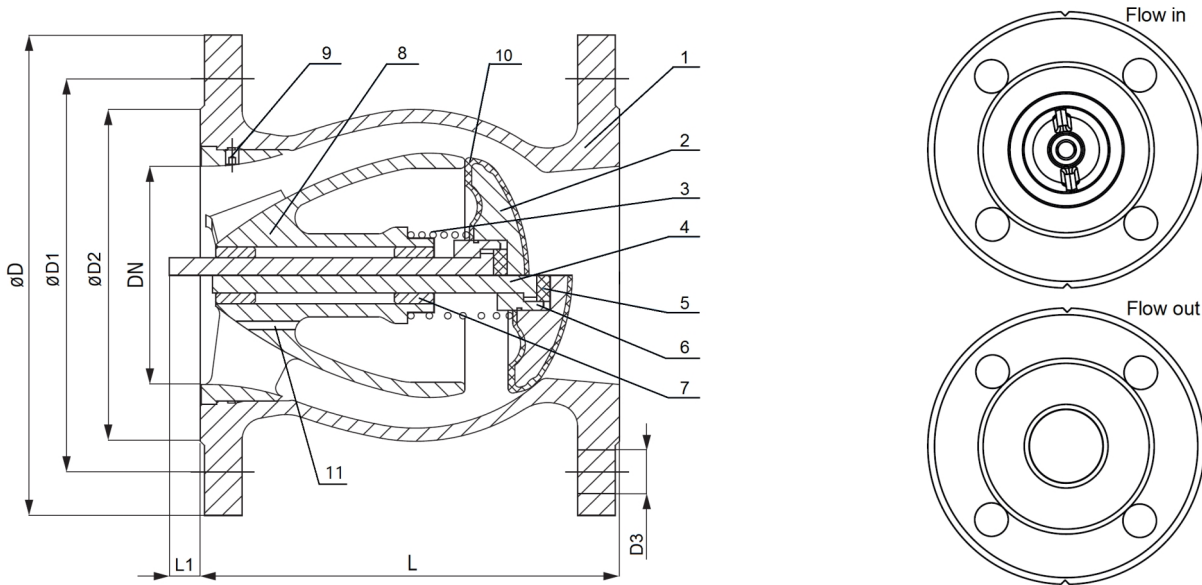


The designs, materials, dimensions and specifications shown are subject to change without notice due to the continuous development of our product range.

NOZZLE CHECK VALVE, SINGLE STEM, PN10/16

876/00-001

SS 420 stem, SS 304 spring, alu-bronze bushings, A2 fasteners, FBE coating, EPDM rubber



Component list:

| | | | |
|-----------|------------------------|--------------------|------------------------|
| 1. Body | Ductile iron GJS-500-7 | 7. Bushing | Alu-bronze C61900 |
| 2. Disc | Ductile iron GJS-500-7 | 8. Diffuser sleeve | Ductile iron GJS-500-7 |
| 3. Spring | Stainless steel 304 | 9. Set screw | Stainless steel A2 |
| 4. Stem | Stainless steel 420 | 10. Seal | EPDM rubber |
| 5. Washer | EPDM rubber | 11. Drain | |
| 6. Nut | Stainless steel A2 | | |

Components may be substituted with equivalent or higher class materials without prior notification.

Reference nos. and dimensions:

| AVK ref. no. | DN | Flange | D | D1 | D2 | D3 | Bolt | L | L1 | Theoretical |
|----------------------|-----|----------|-----|-----|-----|----|------|-----|----|-------------|
| | mm | drilling | mm | mm | mm | mm | No. | mm | mm | weight/kg |
| 876-0050-00-11102012 | 50 | PN16 | 165 | 125 | 99 | 19 | 4 | 150 | 8 | 6.0 |
| 876-0065-00-11102012 | 65 | PN16 | 185 | 145 | 118 | 19 | 4 | 170 | 15 | 9.0 |
| 876-0080-00-11102012 | 80 | PN16 | 200 | 160 | 132 | 19 | 8 | 180 | 18 | 11 |
| 876-0100-00-11102012 | 100 | PN16 | 220 | 180 | 156 | 19 | 8 | 190 | 20 | 15 |
| 876-0125-00-11102012 | 125 | PN16 | 250 | 210 | 184 | 19 | 8 | 200 | 21 | 19 |
| 876-0150-00-11102012 | 150 | PN16 | 285 | 240 | 211 | 23 | 8 | 210 | 25 | 26 |
| 876-0200-00-01102012 | 200 | PN10 | 340 | 295 | 266 | 23 | 8 | 230 | 30 | 39 |
| 876-0200-00-11102012 | 200 | PN16 | 340 | 295 | 266 | 23 | 12 | 230 | 30 | 39 |
| 876-0250-00-01102012 | 250 | PN10 | 395 | 350 | 319 | 23 | 12 | 250 | 40 | 57 |
| 876-0250-00-11102012 | 250 | PN16 | 405 | 355 | 319 | 28 | 12 | 250 | 40 | 57 |
| 876-0300-00-01102012 | 300 | PN10 | 445 | 400 | 370 | 23 | 12 | 270 | 45 | 73 |
| 876-0300-00-11102012 | 300 | PN16 | 460 | 410 | 370 | 28 | 12 | 270 | 45 | 73 |
| 876-0350-00-01102012 | 350 | PN10 | 505 | 460 | 429 | 23 | 16 | 290 | 50 | 109 |
| 876-0350-00-11102012 | 350 | PN16 | 520 | 470 | 429 | 28 | 16 | 290 | 50 | 109 |

The designs, materials, dimensions and specifications shown are subject to change without notice due to the continuous development of our product range.

