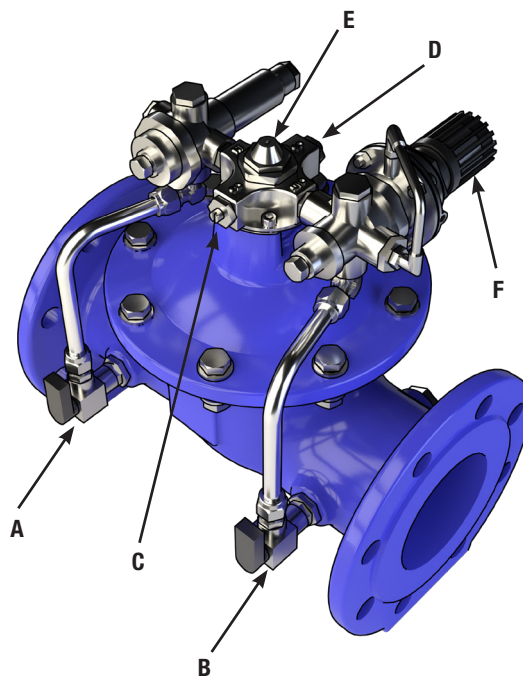


AVK CONTROL VALVES FOR WATER

SERIES 859 PRESSURE REDUCING VALVE

1. CONTROL VALVE COMPONENTS

- A. Isolating ball valve / inlet
- B. Isolating ball valve / outlet
- C. Closing speed (CS)
- D. Opening speed (OS)
- E. Mechanical air vent
- F. Pilot regulating handle



2. START-UP

1. Ensure all ball valves are open (A + B).
2. Turn the regulating handle (F) all the way counter clockwise.
3. Commission pipework using/following water company standard procedure.
4. Bleed air from vent (E).
5. Turn regulating handle (F) clockwise until the valve starts to open.
6. Wait until the downstream pressure is constant.
7. If the downstream pressure gets higher than your desired setting, you need downstream consumption to get a pressure drop. Without consumption you cannot adjust the valve correct.
8. Turn regulating handle (F) to achieve desired downstream pressure.
9. Set regulation speed (C + D) to optimum accuracy.
10. Push regulating handle (F) to lock it. Valve is now set.

3. RECOMMENDED INSTALLATION

1. Isolating valve
2. Air valve
3. Strainer
4. Control valve

